

## Filter Tips

### I. APPLICATIONS

1. For use with pipettors for the measure and transfer of liquids/chemicals

### II. FEATURES

1. Materials: Tips are made of PP, filters are made of UHMWPE
2. Chemically resistant to alcohols and mild organic solvents
3. 100% inert
4. Both tips and racks are both autoclavable
5. Certified Rnase & Dnase Free

### III. FILTER TIPS DESIGN

1. 10 $\mu$ l, 200 $\mu$ l, and 1000 $\mu$ l tip sizes
2. All sizes available in non-sterile bulk or sterile racked packaging
3. The filter's average pore size of 20  $\mu$ m eliminates errors caused by saturation vapor pressure

### IV. PACKAGING

1. Bulk Tips (10 $\mu$ l, 200 $\mu$ l, and 1000 $\mu$ l)
  - a). Packaged 1,000 Pieces/Pack and 10 Packs/case
2. Racked Tips (10 $\mu$ l, 200 $\mu$ l, and 1000 $\mu$ l)
  - a). Packaged 96 Pieces/Rack, 10 Racks/Pack, 10 Packs/Case
  - b). Packaged 96 Pieces/Rack, 6 Racks/Pack, 10 Packs/Case

### V. DESCRIPTION

Item	Size	Packaging	Sterile
22-0010	10 $\mu$ L	1000 Pieces/Pack, 10 Packs/Case	No
22-0011	10 $\mu$ L	1000 Pieces/Pack, 10 Packs/Case	No
23-0010	10 $\mu$ L	96 Pieces/Rack, 10 Racks/Pack, 10 Packs/Case	Yes
23-0011	10 $\mu$ L	96 Pieces/Rack, 10 Racks/Pack, 10 Packs/Case	Yes
22-0200	200 $\mu$ L	1000 Pieces/Pack, 10 Packs/Case	No
22-0201	200 $\mu$ L	1000 Pieces/Pack, 10 Packs/Case	No
23-0200	200 $\mu$ L	96 Pieces/Rack, 10 Racks/Pack, 10 Packs/Case	Yes
23-0201	200 $\mu$ L	96 Pieces/Rack, 10 Racks/Pack, 10 Packs/Case	Yes
22-1000	1000 $\mu$ L	1000 Pieces/Pack, 10 Packs/Case	No
22-1001	1000 $\mu$ L	1000 Pieces/Pack, 10 Packs/Case	No
23-1000	1000 $\mu$ L	96 Pieces/Rack, 6 Racks/Pack, 10 Packs/Case	Yes
23-1001	1000 $\mu$ L	96 Pieces/Rack, 6 Racks/Pack, 10 Packs/Case	Yes

**VI. STERILITY**

1. N/A

**VII. CERTIFICATION**

Biologix products are manufactured completely according to the TUV ISO 9001:2008 standard.

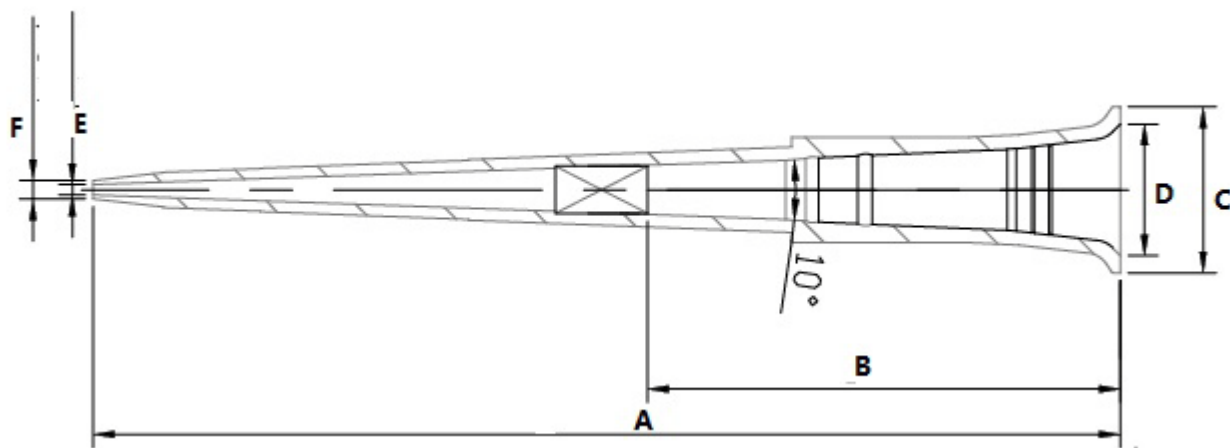
**VIII. RESTRICTIONS**

Refer to the Chemical Resistance Chart in our catalog, and available within our online catalog.

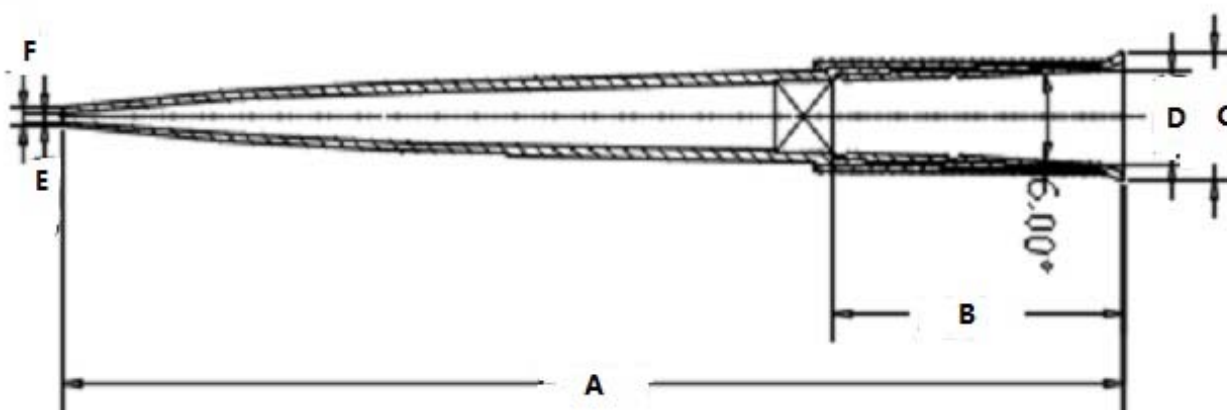
**IX. PRODUCT PARAMETER**

Dimensions=mm

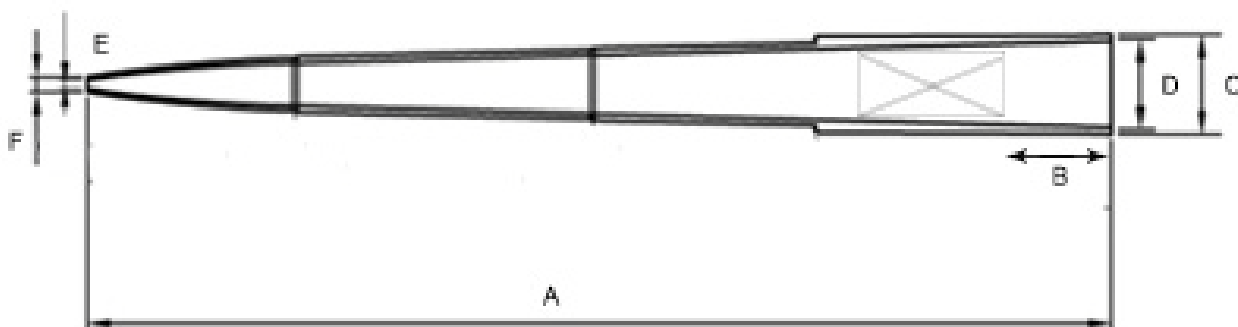
<b>Cat #</b>	<b>Description</b>	<b>A</b>	<b>B</b>	<b>C</b>	<b>D</b>	<b>E</b>	<b>F</b>
22-0010	Filter Tips	39.10	18.00	6.30	5.00	0.40	0.70
22-0011	Filter Tips	39.10	18.00	6.30	5.00	0.40	0.70
23-0010	Filter Tips	39.10	18.00	6.30	5.00	0.40	0.70
23-0011	Filter Tips	39.10	18.00	6.30	5.00	0.40	0.70
22-0200	Filter Tips	59.30	16.00	7.10	5.23	0.52	0.92
22-0201	Filter Tips	59.30	16.00	7.10	5.23	0.52	0.92
23-0200	Filter Tips	59.30	16.00	7.10	5.23	0.52	0.92
23-0201	Filter Tips	59.30	16.00	7.10	5.23	0.52	0.92
22-1000	Filter Tips	88.10	9.00	8.50	7.20	0.82	1.2
22-1001	Filter Tips	88.10	9.00	8.50	7.20	0.82	1.2
23-1000	Filter Tips	88.10	9.00	8.50	7.20	0.82	1.2
23-1001	Filter Tips	88.10	9.00	8.50	7.20	0.82	1.2



**10µL Filter Tips**



**200µL Filter Tips**



**1000µL Filter Tips**